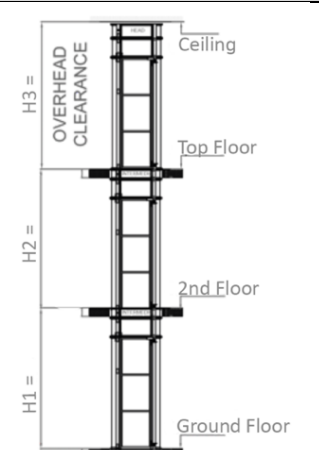
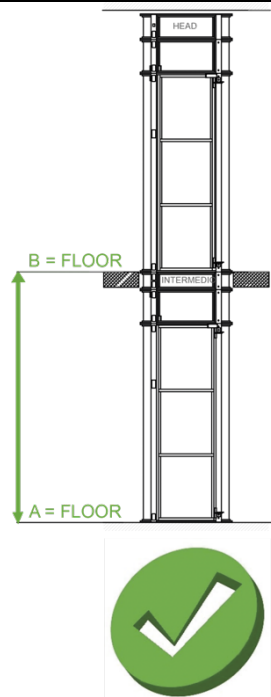
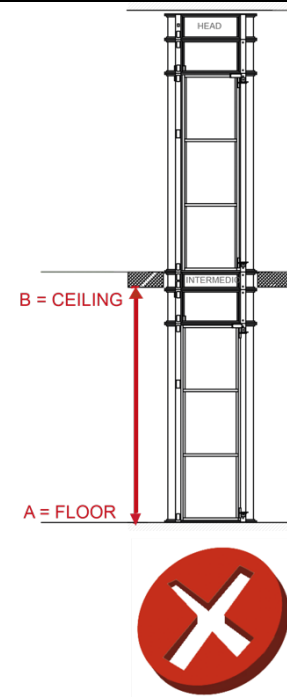
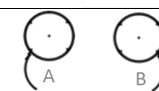


## ECO HOME LIFT ORDER FORM

Date:				
<b>GENERAL INFORMATION</b>				
Name:				
Full Address:				
Zip Code:		City:	Country:	
Mobile:		Email:		
<b>ECO HOME LIFT</b>				
Please select each option that applies to your order specifications and input all other information in the fields.				
Model	<input type="checkbox"/> <b>ECO115</b> 160 kg Ext. l Diam. = 1200mm Cabin Dia. = 900 mm	<input type="checkbox"/> <b>ECO 130</b> 250 kg Ext. Diam. = 1350 mm Cabin Diam. = 1050 mm	<input type="checkbox"/> <b>ECO+ 100</b> 160 kg Ext. Dim. = 1050mm x 1050mm Cabin Dim. = 800mm x 800mm	<input type="checkbox"/> <b>ECO+120</b> 250 kg Ext. Dim. = 1200mm x 1200mm Cabin Dim. = 950mm x 950mm
No. of Floors:	<input type="checkbox"/> 1 Floor	<input type="checkbox"/> 2 Floors	<input type="checkbox"/> 3 Floors	Max. 3 Floors
Pit:	<input type="checkbox"/> 130 mm			

<b>MOTOR</b>		
<input type="checkbox"/> Head	<b>OR</b>	<input type="checkbox"/> Split
<input type="checkbox"/> Overhead Room (Min 2850 mm)		<input type="checkbox"/> Overhead Room (Min 2400 mm) <input type="checkbox"/> Machine Room Height (Min 550 mm) Travel Cable Length <input type="checkbox"/> 10m <input type="checkbox"/> 15m

<b>TRAVEL HEIGHT</b>												
<table border="1" style="width: 100%; border-collapse: collapse;"> <tr><td>H1:</td><td style="text-align: right;">mm</td></tr> <tr><td>H2:</td><td style="text-align: right;">mm</td></tr> <tr><td>H3:</td><td style="text-align: right;">mm</td></tr> <tr><td>Total Height:</td><td style="text-align: right;">mm</td></tr> <tr><td colspan="2" style="font-size: small;">Total Height: From Ground to top ceiling</td></tr> </table> <div style="text-align: center;">  </div> <p style="font-size: small;">Overhead clearance is the height of the last floor in the building and should have a minimum height of          Head Motor Application : 2850 mm          Split Motor Application : 2400 mm</p>	H1:	mm	H2:	mm	H3:	mm	Total Height:	mm	Total Height: From Ground to top ceiling		<div style="display: flex; justify-content: space-around;"> <div style="text-align: center;">  </div> <div style="text-align: center;">  </div> </div>	
H1:	mm											
H2:	mm											
H3:	mm											
Total Height:	mm											
Total Height: From Ground to top ceiling												
Door Opening Direction:	<input type="checkbox"/> A <input type="checkbox"/> B											
Installation Application	<input type="checkbox"/> Balcony <input type="checkbox"/> Between Floors	If installation is through floor, installing finishing rings is advised. The finishing rings are made in the color of the aluminum structure.										

Tower / Cabin Design			
Tower Color:	<b>Painted:</b>		
	<input type="checkbox"/> Black (RAL 9005)	<input type="checkbox"/> White (RAL 9016)	<input type="checkbox"/> Beige (RAL 1013)
	<input type="checkbox"/> Grey (RAL 7001)		
	Other ..... RAL		
	<b>Stainless Steel:</b>		
<input type="checkbox"/> Gold	<input type="checkbox"/> Silver	<input type="checkbox"/> Black	<input type="checkbox"/> Rose Gold
Other .....			
Cabin:	<b>Stainless Steel:</b>		
<input type="checkbox"/> Gold	<input type="checkbox"/> Silver	<input type="checkbox"/> Black	<input type="checkbox"/> Rose Gold
Ceiling:	<input type="checkbox"/> Spot Light		
Flooring:	<input type="checkbox"/> Black Corian <input type="checkbox"/> white Corian		<input type="checkbox"/> Black Anti-Scratch Acrylic
Special Notes:			